

# CALF PEN



Telesys Bangladesh Ltd



## Product Information

### Features:

- ✓ Mobile
- ✓ Very strong
- ✓ Sustainable
- ✓ Washable and Easy to clean
- ✓ Low maintenance
- ✓ Compact

**TBL-CC01A**



# Overview of calf pen

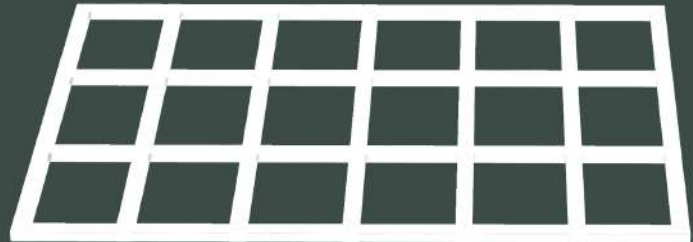
## 1. Base part

Made of MS hollow box-size:  
1 1/2"X1" and 1"X1"

Dimension of frame : 1540 X 1060  
mm

Internal structure are arrange to  
350 and 255 mm distance

Easy to place floor mate.



## 2. Front side door

Made of MS hollow box-size:  
1"X1" , 1/2"X1/2" and 3/4"

Dimension of frame : 1000X 890  
mm

Tow part hinges connected , left  
and right swing..

Bucket holder attached

Plug and play system.

Double coted paint.





# Overview of calf pen

## 3. Rear side

Made of MS hollow box-size:

1 "X1", 3/4"X3/4" and 1/2" X1/2"

Dimension of frame : 1000X 890  
mm

One side hinges connected and  
right swing..

Plug and play system.

Double coted paint.



## 4. Side Wall

Made of MS hollow box-size:

1 "X1", 3/4"X3/4" and 1/2" X1/2"

Dimension of frame : 15400X  
890 mm

Number of side wall-2 nos.

Plug and play system.by But &  
Bolts.

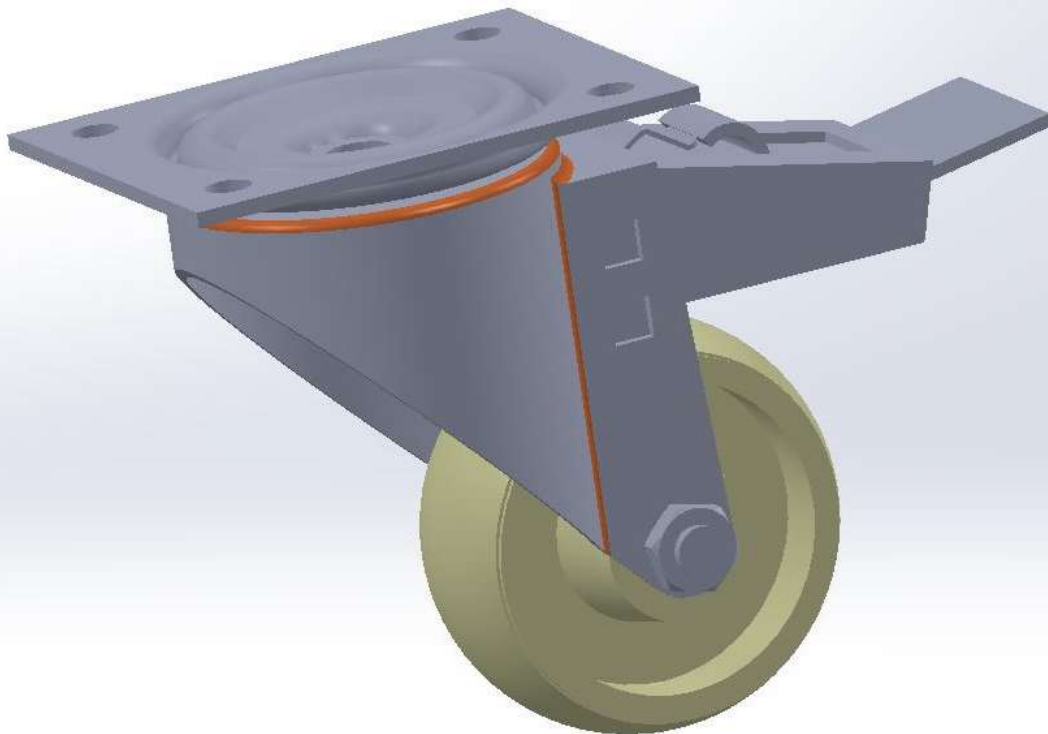
Double coted paint.





## MODEL VIEW of Calf pen

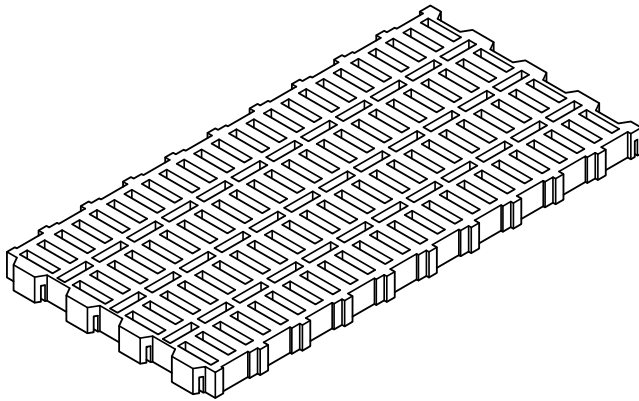




## Technical Data

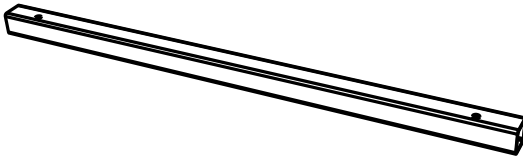
- Housing type: Calf box
- Number of calves: 1
- Housing Material: Square Metal Tube
- Dimension (L x W x H) cm: 150-160 x 100-110 x 110-120
- Material properties: Front and rear posts: Square Metal Tube/Mild Steel Hollow Box; material size: 1"X1", Thickness: 1.2-1.4mm.
- Side walls: Square Metal Tube/Mild Steel Box; Material size (Minimum): 1/2"X1/2", Thickness: 1 mm.
- Floor: Mild Steel Box Base (Minimum) (1/2" X 1/2". Thickness: 1 mm) with Slatted polypropylene (PP)/HDPE
- Double coated Enamel paint (SS/Silver Color)
- Manual Door Closer with locking mechanism
- Weight: 45 kg (Approx.)

## Accessories

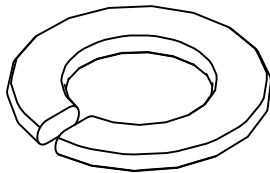


**3 x**

Slatted plastic floor



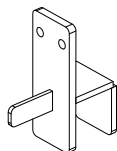
Square MS tube



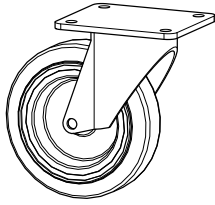
Spring washer



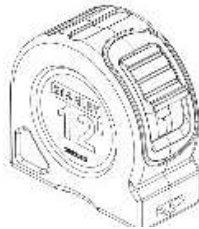
Nut & Bolts and washer



Locking mechanism



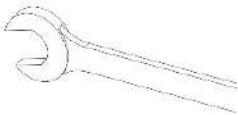
Castor wheel



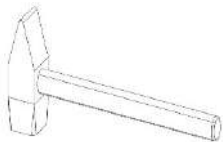
Tape measure



Drill machine



Wrench



Hammer

Thank you for choosing a Top class calf housing solution!

We would like to point out the following points before starting:

- Our calf housing solutions are engineered and constructed for young animals.
- When assembling the rear- and side walls, make sure you don't tighten the nut too tight, since it could deform / damage the walls;
- When cleaning the calf hutch, make sure to use detergents that don't damage the materials of the calf hutch.

We recommend you to use a high-pressure cleaner at 80 bar, to clean the calf hutch.



TBL-CC-01A



Telesys Bangladesh Ltd



TBL-CC-01A



Telesys Bangladesh Ltd

